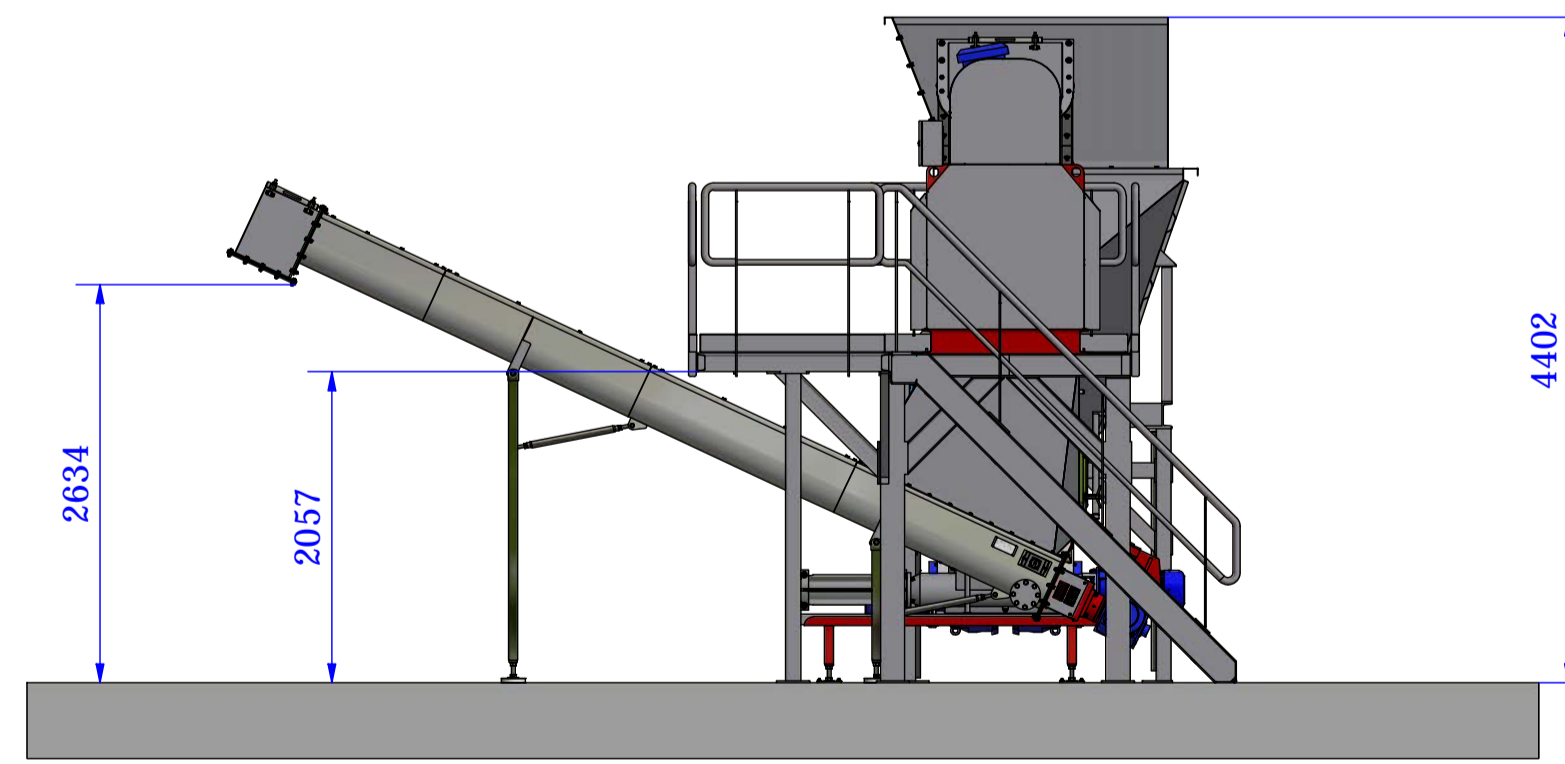
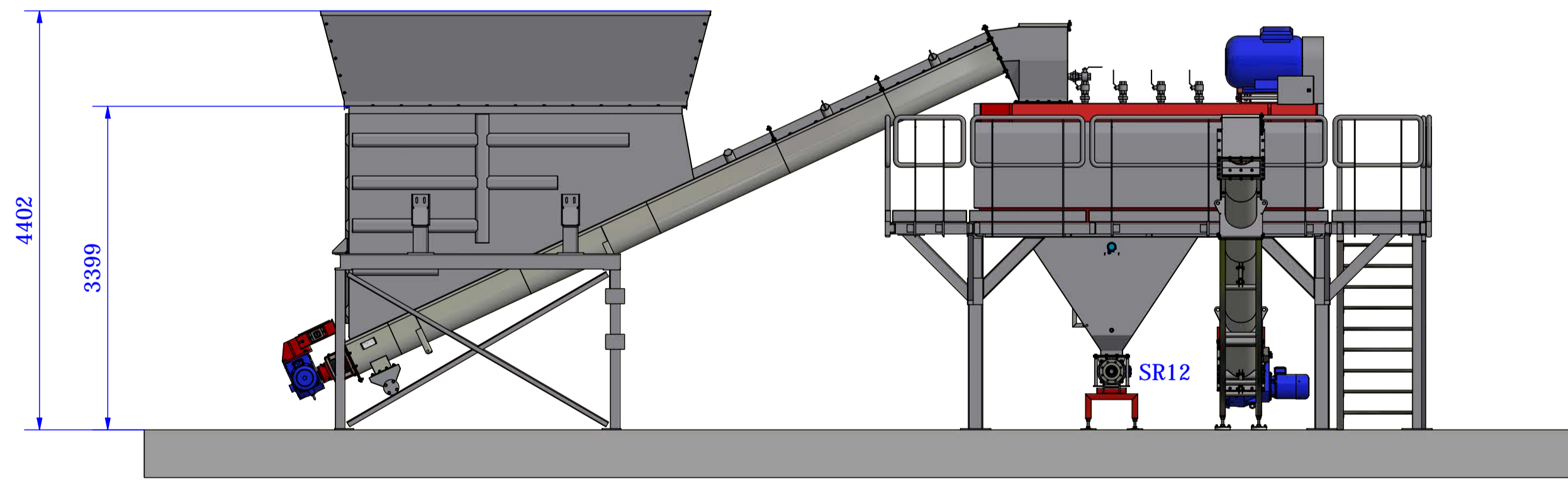
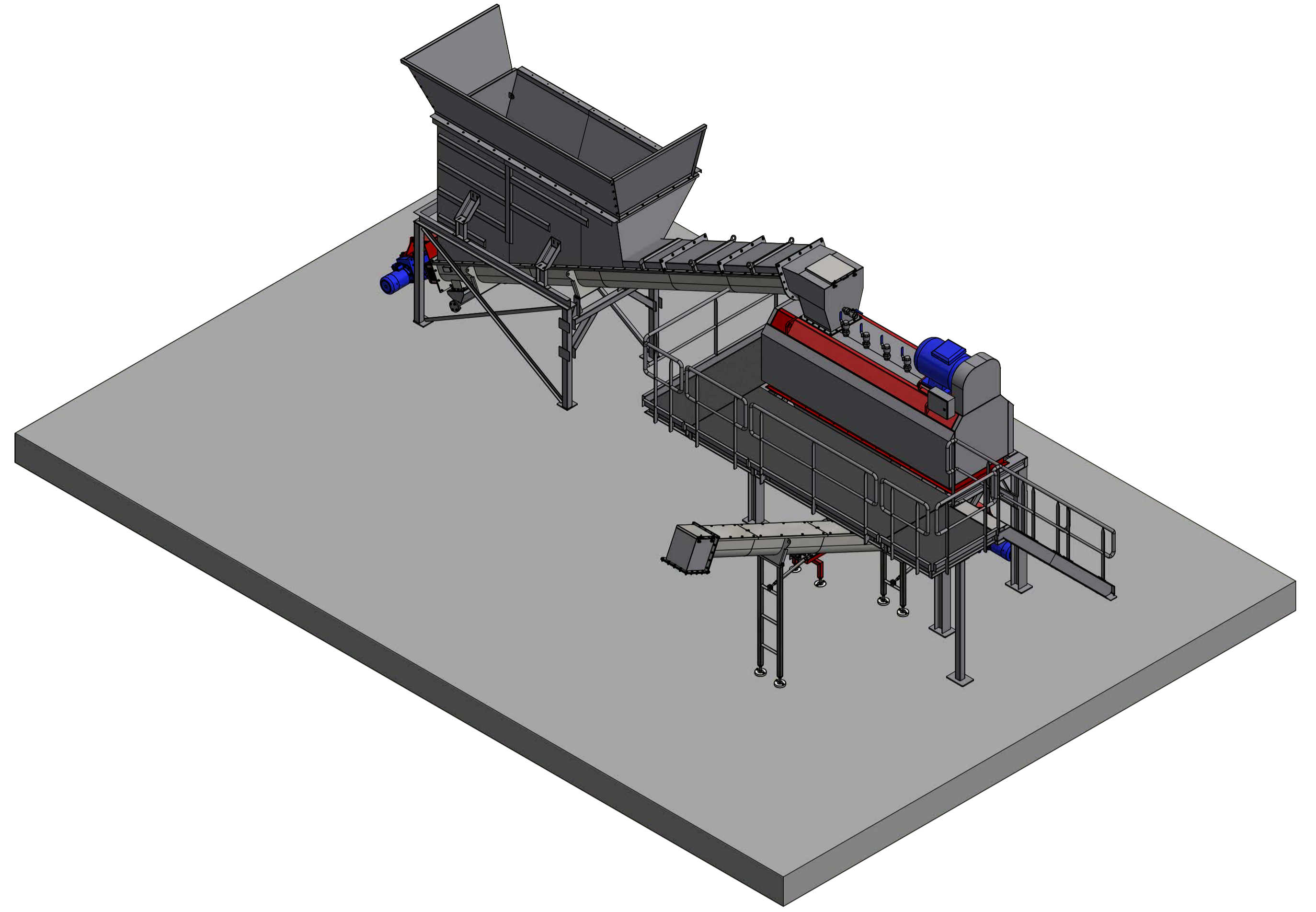
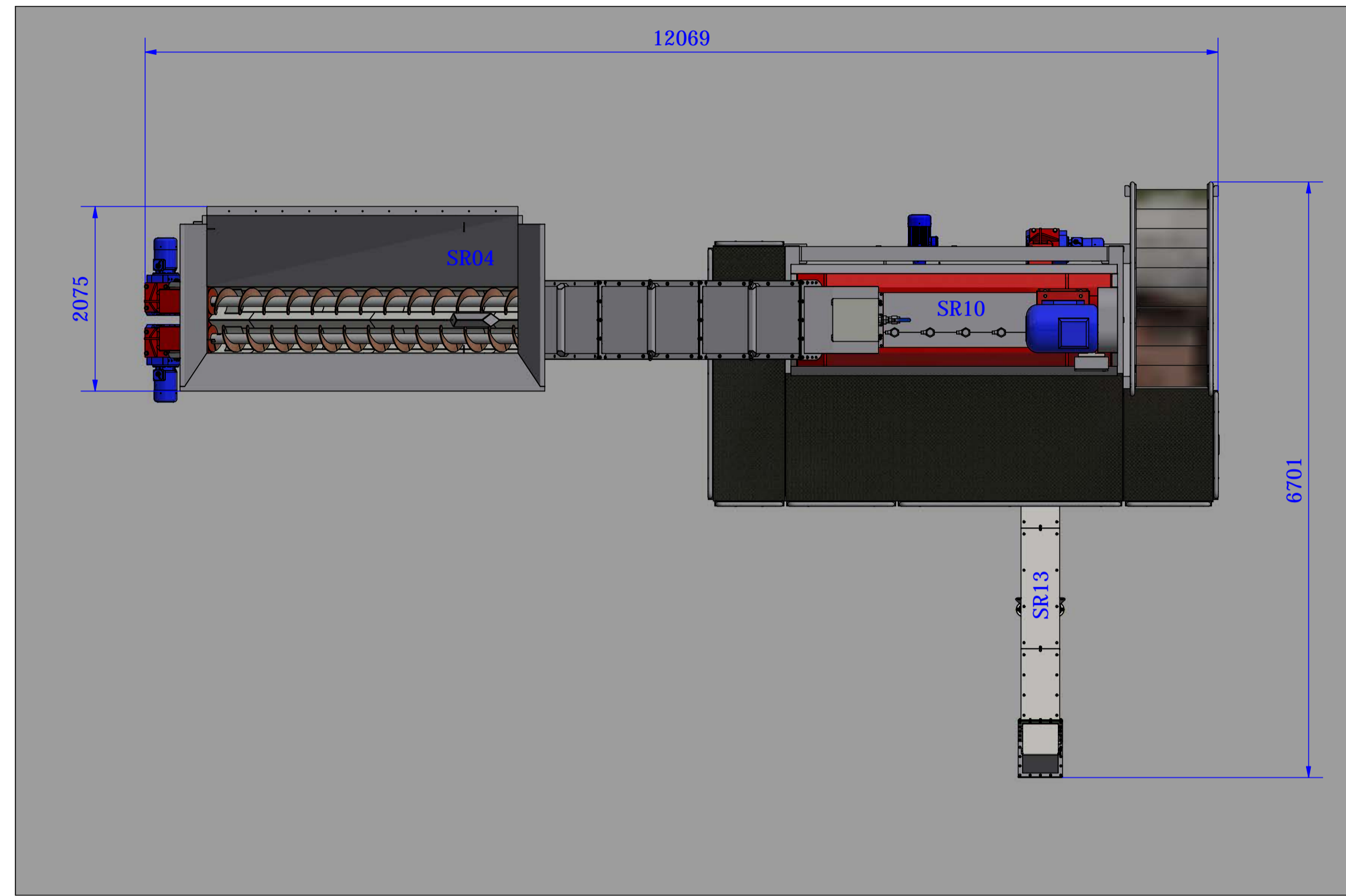



THIS DOCUMENT IS THE CONFIDENTIAL AND PROPRIETARY PROPERTY OF MAVITEC. REPRODUCTION OR USE IN ANY MANNER WITHOUT WRITTEN PERMISSION IS STRICTLY PROHIBITED.	POS.	NUMBER	NAME	MATERIAL	DIMENSIONS / REMARKS
	SCALE: 1 : 50		DATE: 26/01/2021	<b>MAVITEC</b> <small>Group Buitij</small> GALLEI STRAAT 20 1704 SE HEERHUISGOWAARD THE NETHERLANDS PHONE : 31-72-5745988 FAX : 31-72-5745548	
	DRAWN BY: B.Neele		SEEN BY:		
	NAME:		REVISIONS:		
Food depackaging lay out			SIZE: A1 GENERAL POLYNOMIALS: <input checked="" type="checkbox"/> IN MILLIONS TOLERANCES UNLESS OTHERWISE NOTED: <input type="checkbox"/>	DRAWING NO.: 201478-100a QUOTATION NO.: Q201478 ORDER NO.:	

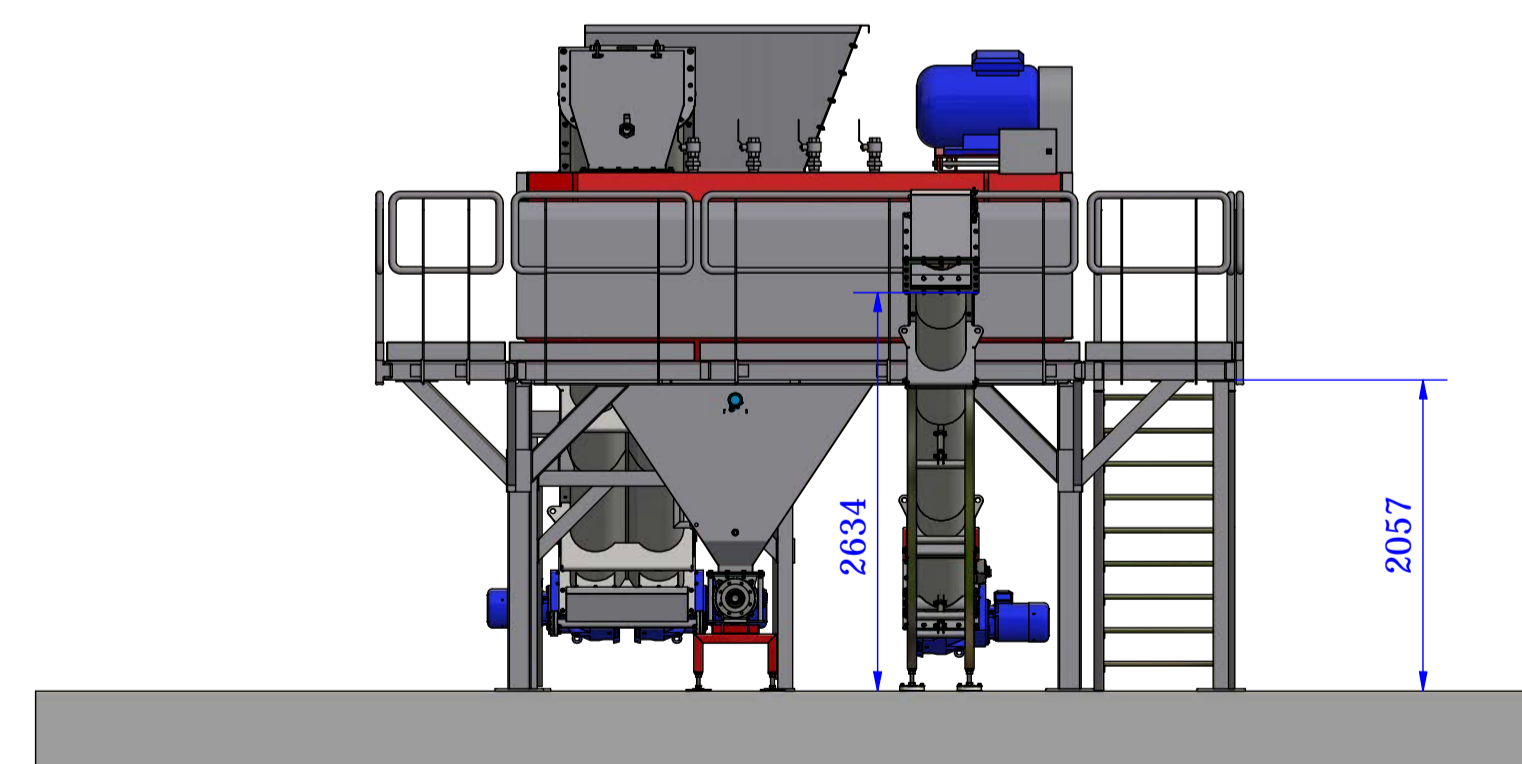
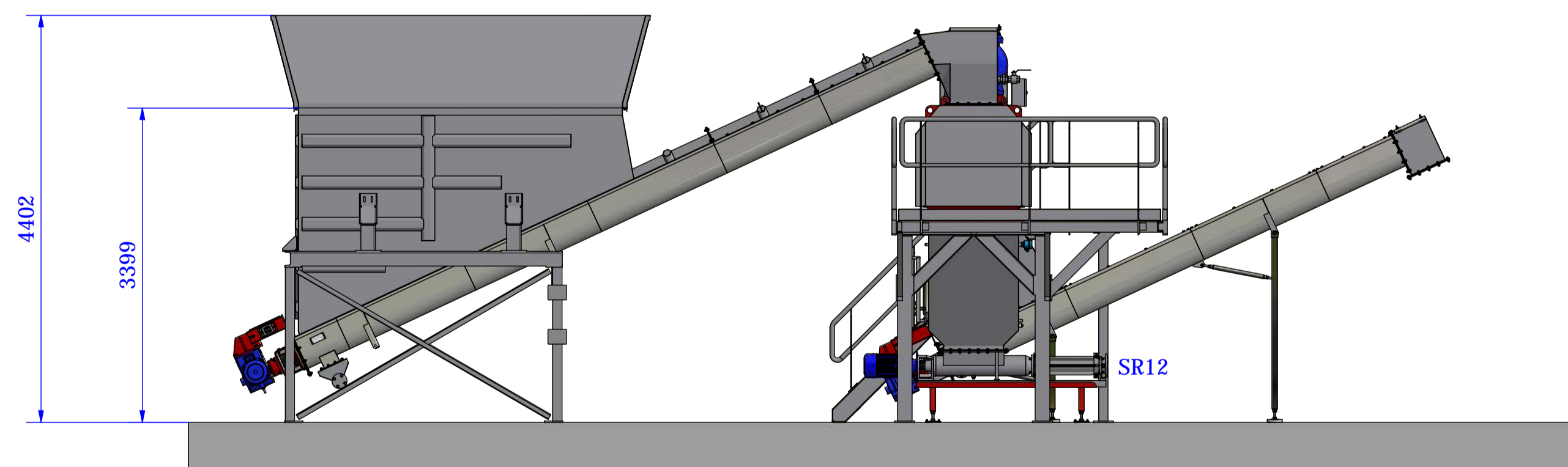
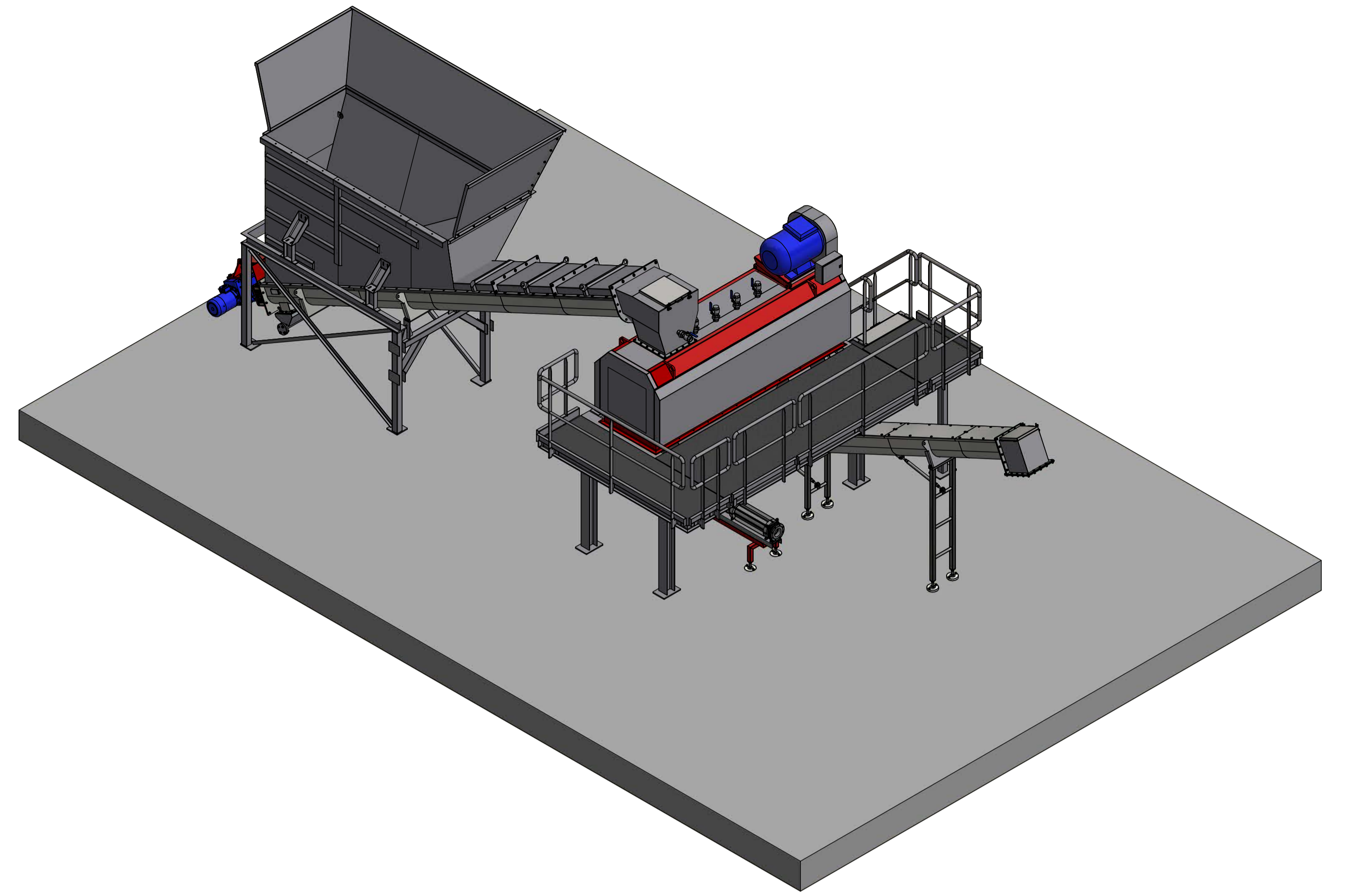
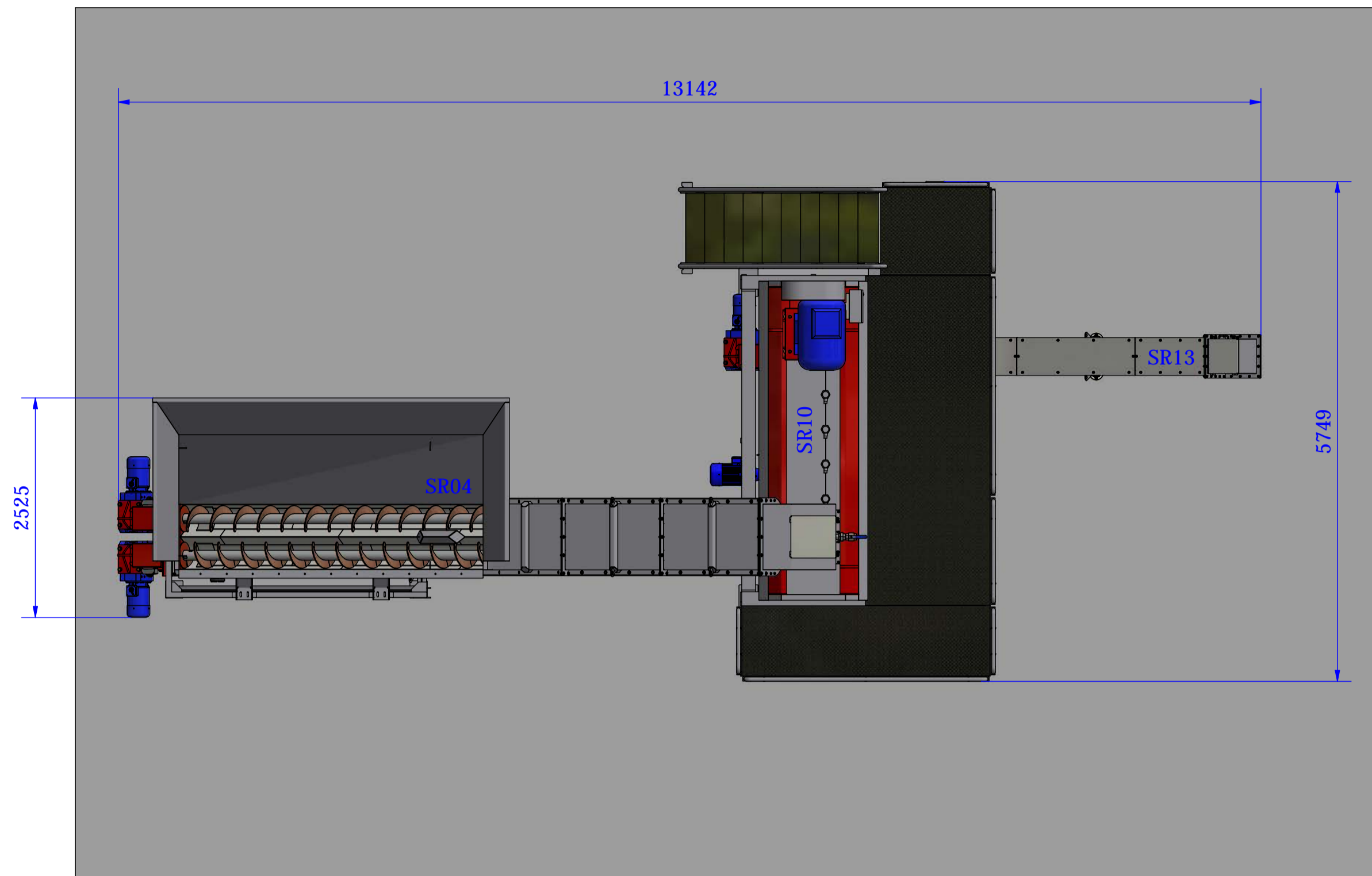




<small>THIS DOCUMENT IS THE CONFIDENTIAL AND PROPRIETARY PROPERTY OF MAVITEC. IT IS NOT TO BE REPRODUCED, REPRODUCED OR USED IN ANY MANNER WITHOUT THE WRITTEN PERMISSION OF MAVITEC.</small>	POS.	NUMBER	NAME	MATERIAL	DIMENSIONS / REMARKS
	SCALE	1 : 50	DATE		
	DRAWN BY	B.Neele	25/01/2021	<small>GALLEI STRAAT 20 1704 SE HEERHUISGWAARD THE NETHERLANDS</small>	
	CHW BY			<small>PHONE : 31-72-5745988 FAX : 31-72-5745548</small>	
SEEN BY			NAME	SIZE	DRAWING NO.
				A1	201478-100b
				GENERAL POLYNOMIALS BY B.MORING	QUOTATION NO.
				TOLERANCES UNLESS SPECIFIED NOTED ELSEW.	Q201478
REVISIONS	0			ORDER NO.	

Food depackaging lay out

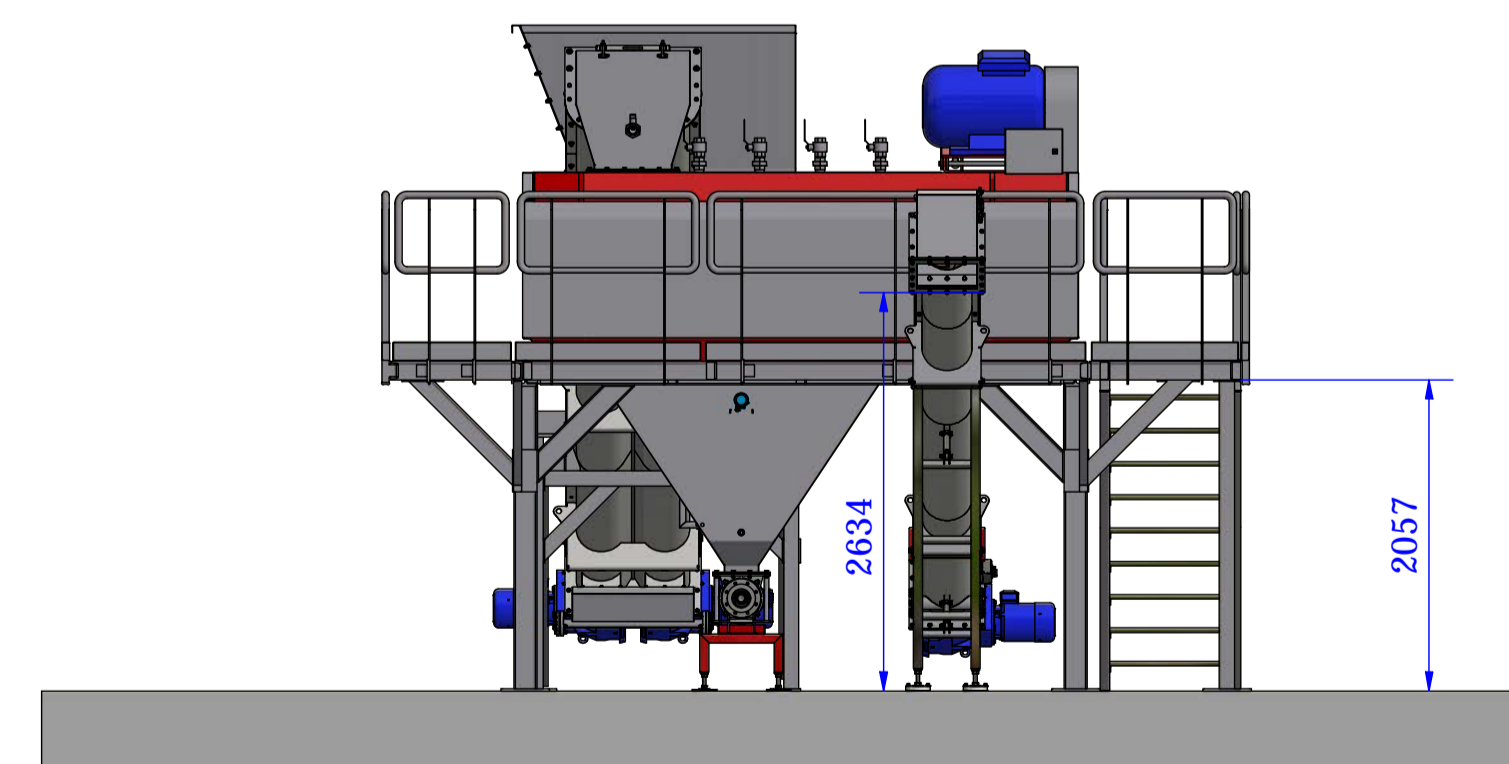
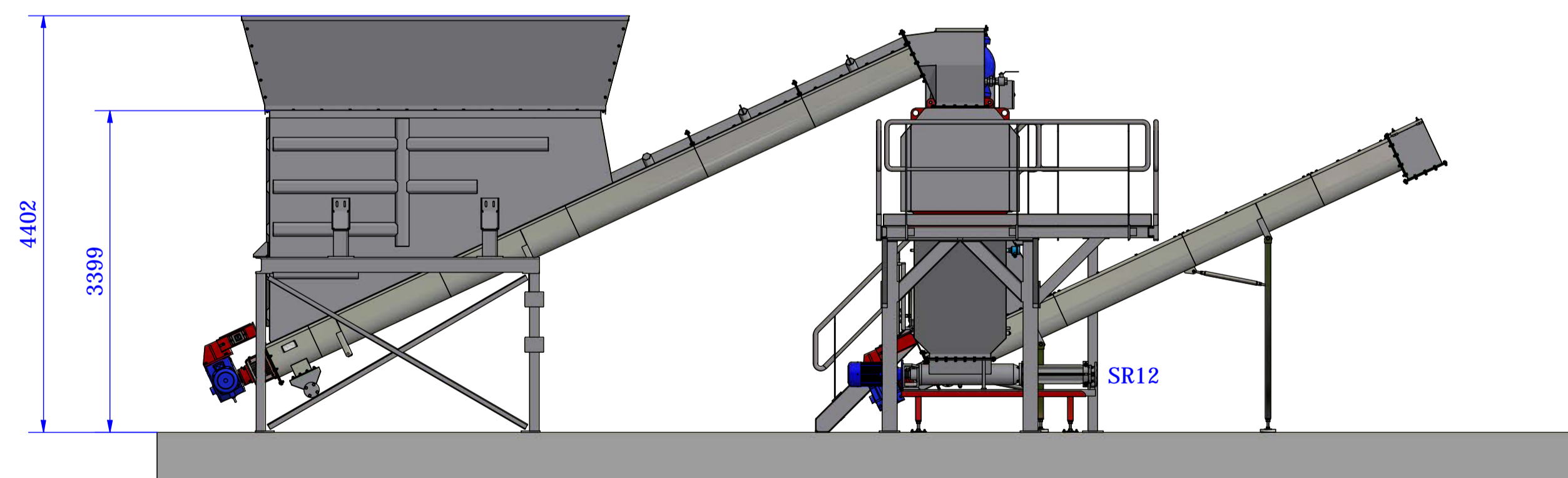
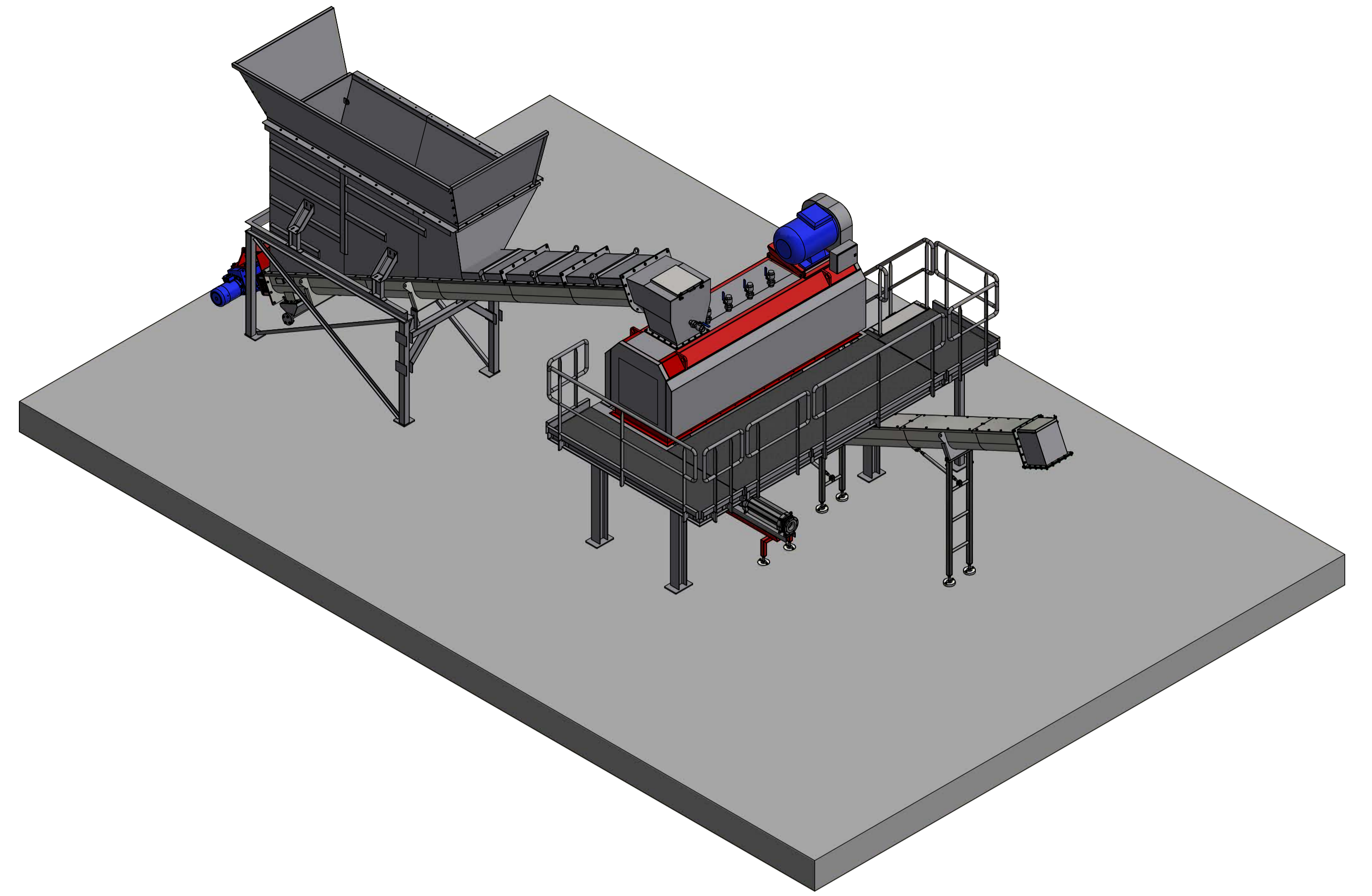
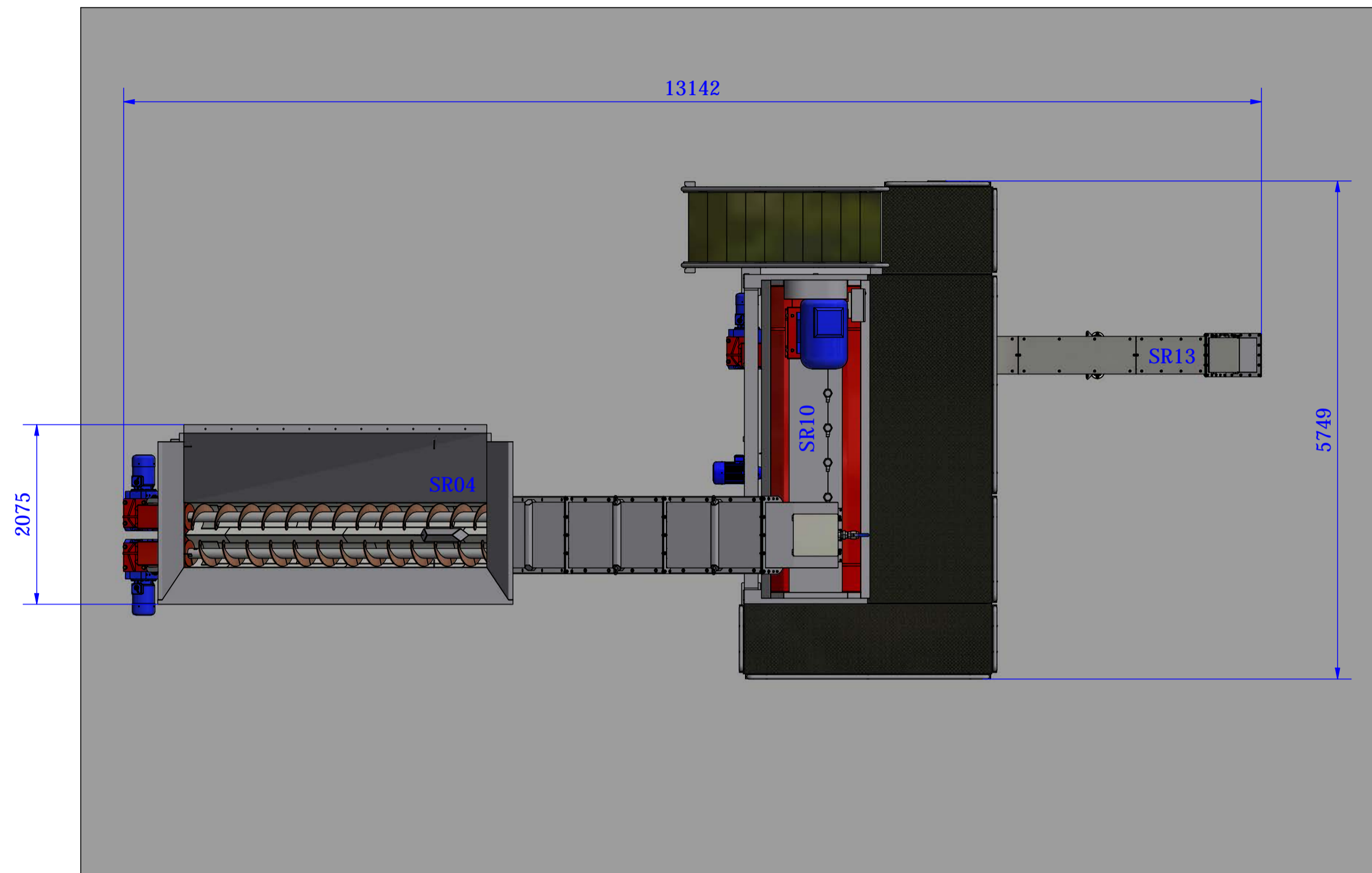





POS.	NUMBER	NAME	MATERIAL	DIMENSIONS / REMARKS
SCALE		1 : 50	DATE	
DRAWN BY		B.Neele	26/01/2021	
DRAWN BY				
SEEN BY				
NAME				
REVISIONS		0		
GENERAL INFORMATION		<b>MAVITEC</b> <small>Group Estafy</small> GALLEI STRAAT 20 1704 SE HEERHOLSWAARD THE NETHERLANDS PHONE : 31-72-5745988 FAX : 31-72-5745548		DRAWING NO. <b>201478-100c</b> QUOTATION NO. <b>Q201478</b> ORDER NO.
SIZE		A1		201478-100c
TOLERANCES UNLESS OTHERWISE NOTED (mm)		✓		

Food depackaging lay out





POS.	NUMBER	NAME	MATERIAL	DIMENSIONS / REMARKS
SCALE		1 : 50	DATE	
DRAWN BY		B.Neele	26/01/2021	
DRAWN BY				
SEEN BY				
NAME				
REVISIONS		0		
				GALLEI STRAAT 20 1704 SE HEERHOLSWAARD THE NETHERLANDS PHONE : 31-72-5745988 FAX : 31-72-5745548
		SIZE	A1	DRAWING NO. 201478-100d
		GENERAL POLYNOMIALS	BY MACHINES	QUOTATION NO. Q201478
		TOLERANCES UNLESS OTHERWISE NOTED		ORDER NO.

Food depackaging lay out